

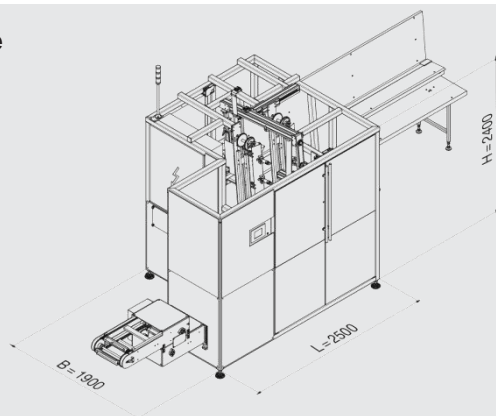


## BT2200 ASV

*Tube packing machine.*

### Required space

L: 2500 mm  
W: 1900 mm  
H: 2400 mm



### Your benefits

- Ideal for laminate, plastic or aluminum tubes
- Synchronous transfer
- No compensator
- Easily adjustable to different diameters
- Tubes can be packed closely into boxes; important for the automatic unloading of the tubes horizontally or vertically

### Technical data BT2200 ASV

Ø	Length	V
13.5 – 19 mm	55 – 180 mm	200 tubes/min
19 - 40 mm	55 – 230 mm	200 tubes/min
25 – 50 mm	55 – 230 mm	200 tubes/min

Commercial tube length dependent on the diameter including cap. Range: 90 – 280 mm

### Note for all machines:

- 1) Speed limits are dependent on the packed orientation, horizontally/vertically.
- 2) Machines available outside the stated technical parameters upon request.

