

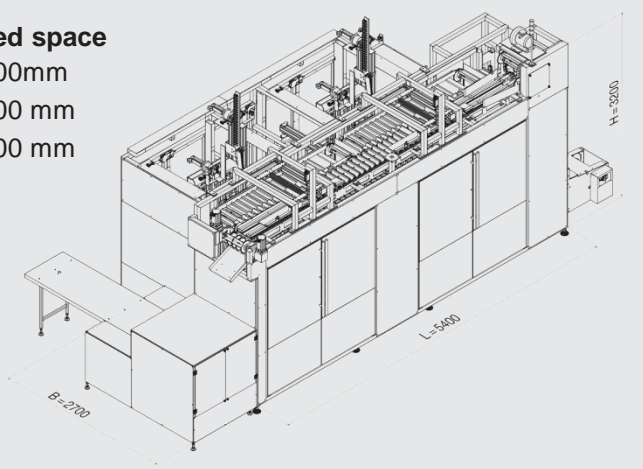


BS2500

Can packing machine.

Required space

L: 5400mm
W: 2700 mm
H: 3200 mm



Your benefits

- Ideal for aerosol cans, bottles, and tablet tubes
- Optimal grouping of cans – patented
- Fast and soft strapping with controlled engines
- Synchronous can transfer
- High production reliability and security

Technical data BS2500

Ø	Length	V
35 – 53 mm	290 mm	250 cans/min
50 – 84 mm	290 mm	250 cans/min

Note for all machines:

- 1) Speed limits are dependent on the bundle orientation.
- 2) Machines available outside the stated technical parameters upon request.

