

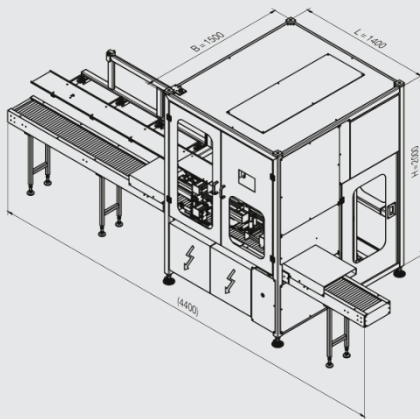
BU2000

Cartridge packing machine.



Required space

L: 1400 mm
W: 1500 mm
H: 2000 mm

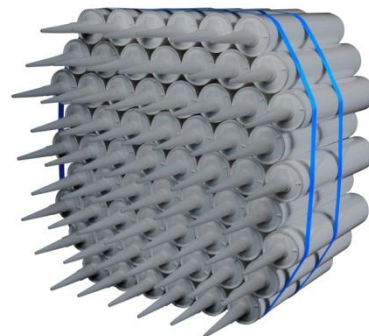


Your benefits

- Standard machine can be placed inline
- Less space due to compact machine size
- Packing with and without nozzle possible

Technical data BU2000

Ø	Body length	OAL (mm)	Output
47 – 50 mm	230 mm	230 - 340 mm	140 cartridge/min



Note for all machines:

- 1) Speed limits are dependent on the bundle orientation.
- 2) Machines available outside the stated technical parameters upon request.